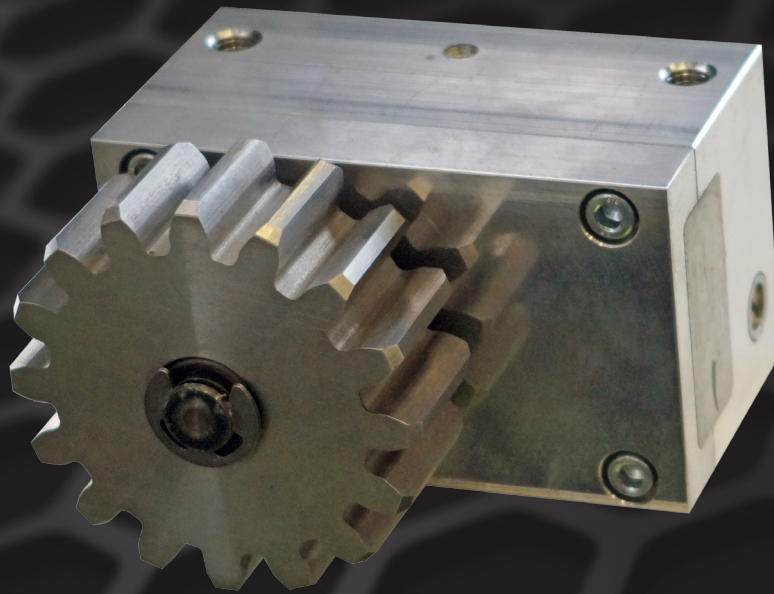


Radial Damper

SPEED LIMITER FOR INCLINED GATES



Sliding gates are often installed on a slope. The gate rolling down a slope places considerable stress on a motor, yet few people consider the potential for a the owner unlocking the motor resulting in a “runaway gate”. Additionally the risk is increased if the motor used isn’t strong enough to handle the increased loads of pushing a gate up a slope, then slowing it downhill. If a motor is under specced the risk of a gearbox failure is real.

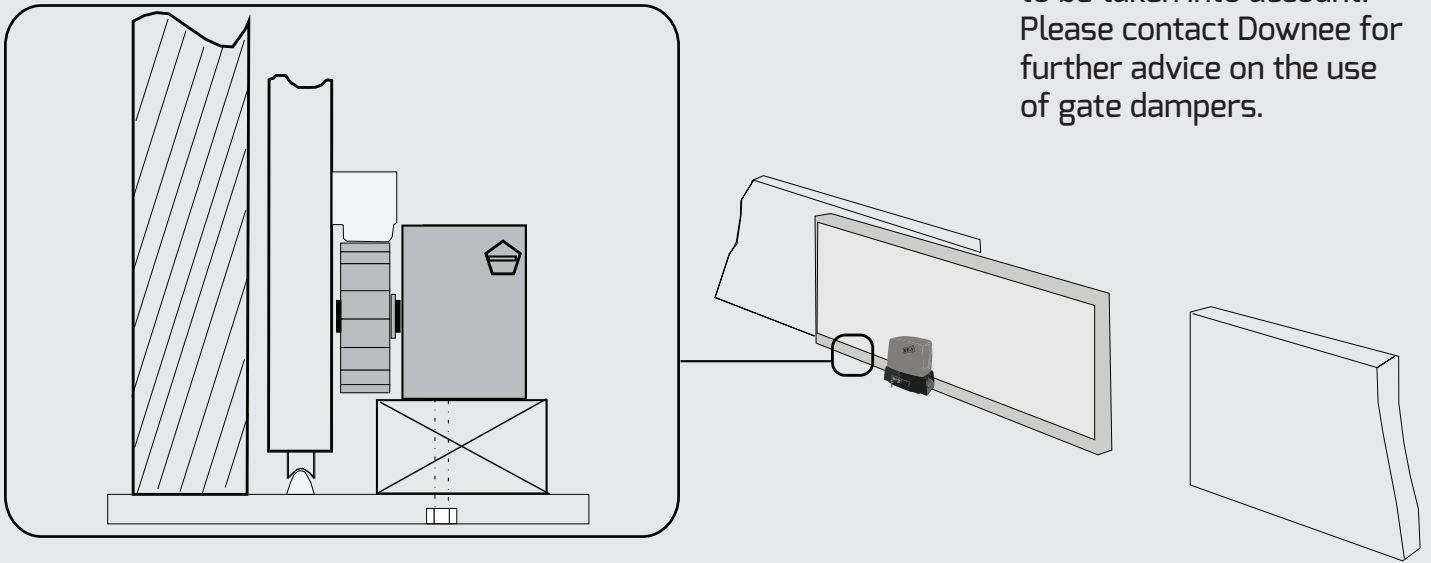
A compact, one-way hydraulic damper
The pinion gear engages the drive rack providing substantial resistance to the gate rolling downhill. The resistance force adjusts to match gate weight to a slope angle.

- Stainless steel body to avoid corrosion.
- Sealed unit, no servicing required.
- Pinion gear suits standard rack teeth pitch.
- Heavy duty and chain-drive suitable versions available.
- The damper is not a substitute for automation.
- The damping force **MUST** be adjusted based on the gradient of the slope, weight of the gate and speed and force of the motor. Must be installed by a professional installer.
- Damping is one way but is reversible.

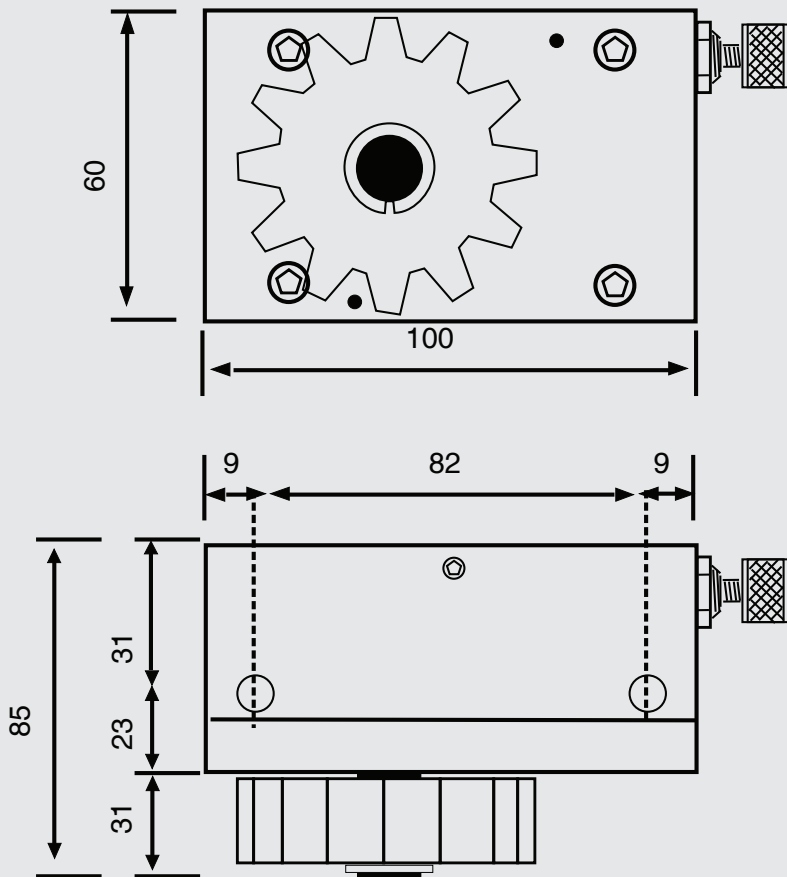
POSITION

Mounts vertically, or horizontally.

Gates on slopes require a considered approach. This table is a guide only, and other factors may need to be taken into account. Please contact Downee for further advice on the use of gate dampers.



DIMENSIONS



	SMC	SMC-HD
Angle (degrees)	Max Weight (kg)	
1	1250	2180
1.5	830	1450
2	620	1080
2.5	500	870
3	400	720
3.5	350	620
4	300	540
4.5	270	480
5	250	430
5.5	220	390
6	210	360
6.5	200	330
7	190	310
7.5	160	290
8	150	270