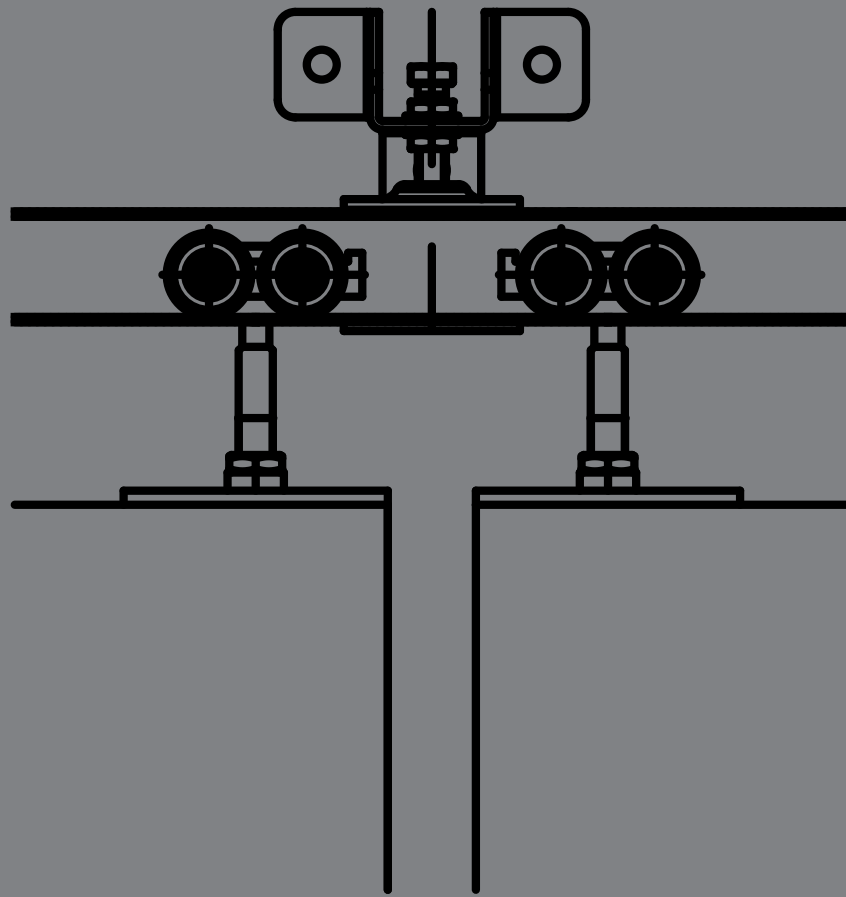
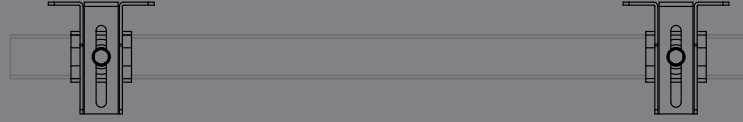


Technical details

OPTIMUM





1965-2020

Precisely 55 Years



It's now 55 years since founder, Vittorio Comunello, started on his pioneering adventure to build a company for the production of components for sliding gates. The company was an instant success and has maintained its reputation and market position based on innovative solutions and an unrivaled reputation for absolute quality.

55 years of precision in the manufacture of perfect components, maintaining pace with the evolution of the most advanced technologies while guaranteeing complete security and safety.

The introduction of Optimum to Australian & New Zealand marks the first time shed and gate builders plus engineers have access to a true premium, Italian made slide door hardware systems.

3 YEAR WARRANTY

Downee covers Optimum products with a 3-year performance warranty effective from date of purchase.

Warranty is subject to Optimum being used within the guidelines for manual, motorised, door and gate. Poor installation, misuse or lack of proper maintenance will void warranty.

AUTOMATED DOORS & GATES

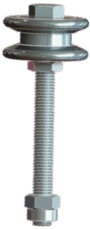
Optimum's carriers are suitable for automated gates and doors operated up to 25 cycles per day.



Optimum carriers are manufactured by Comunello in Italy and feature sealed steel roller bearings.



overview



Top Door Stop attaches inside the track.



Track guides provide options for various types of installations.



Door Catch is a versatile door-stop that can be mounted at any corner.



A Door Guide Roller can be bolted either side of the door. Or upside-down under the door running inside a recessed channel.



Lever Bolt door latch.

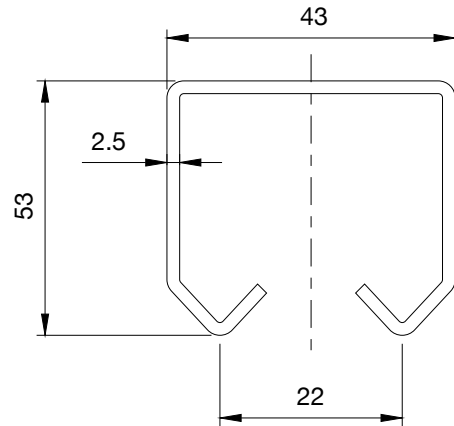
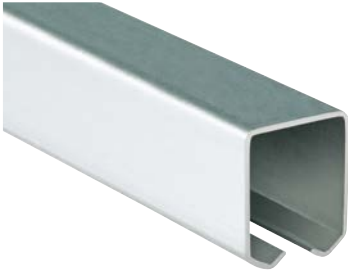


300 Series

DOOR TRACK

300-6000 6-metre length.

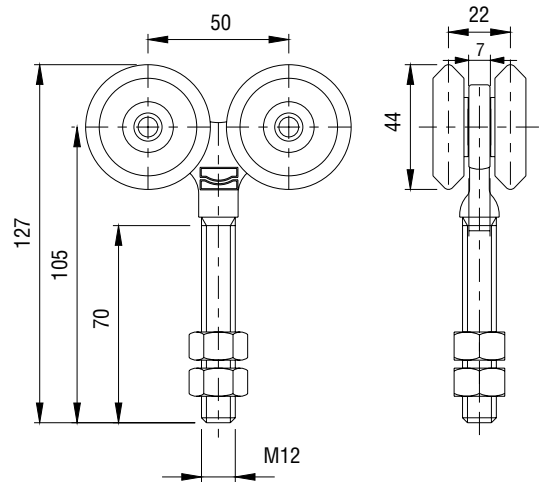
Custom length track available.
Minimum order quantities apply.



DOOR ROLLER

300-4CS Steel wheels
300-4CN Nylon wheels

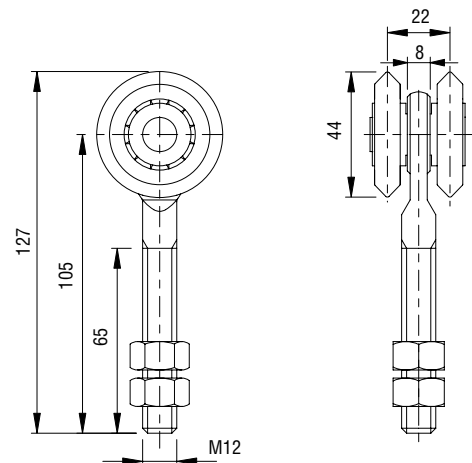
Four sealed steel roller bearings



DOOR ROLLER

300-2CS Steel wheels
300-2CN Nylon wheels

Two sealed steel roller bearings

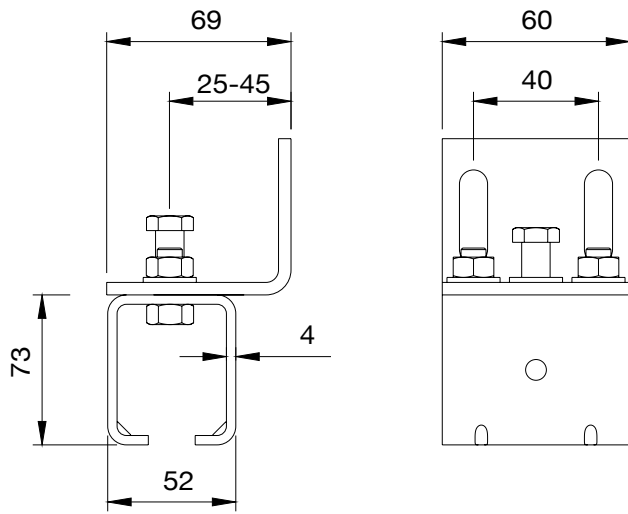


300 Series

TRACK MOUNT

300-2

Track mount only.
Bracket 300-1BS ordered separately.



OFFSET BRACKET

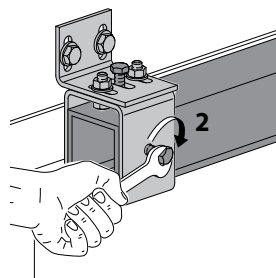
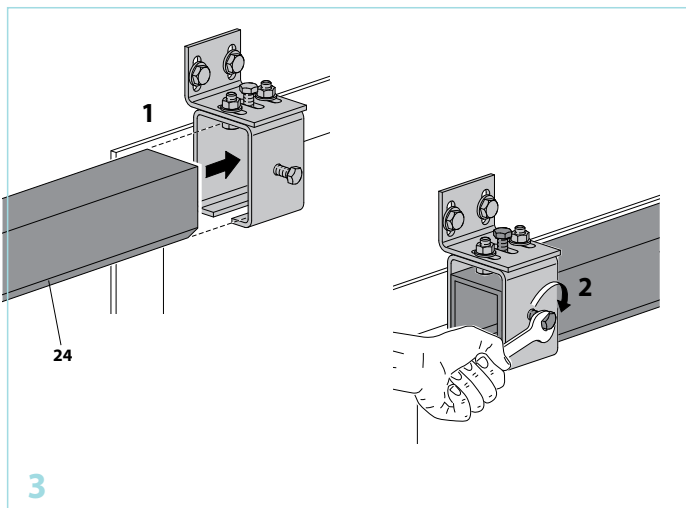
300-1BS



300-1BS Includes:
Nut & bolt (x2)
Track lock bolt (x1)

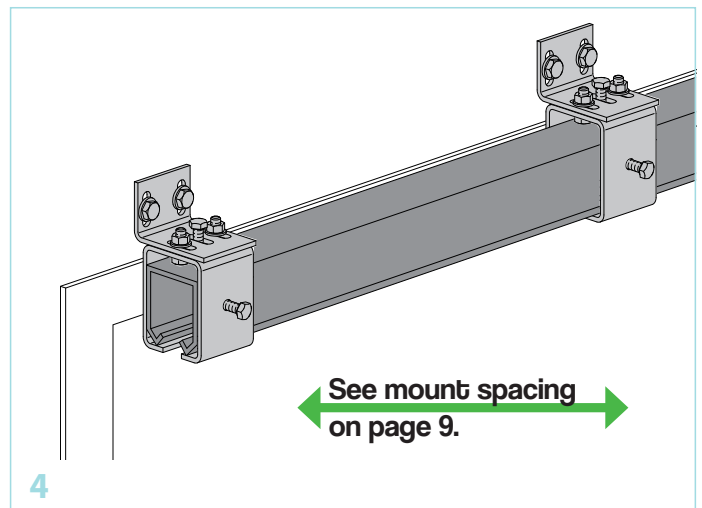


Image shown includes:
300-2 track mount
300-1BS bracket.



3

5



4

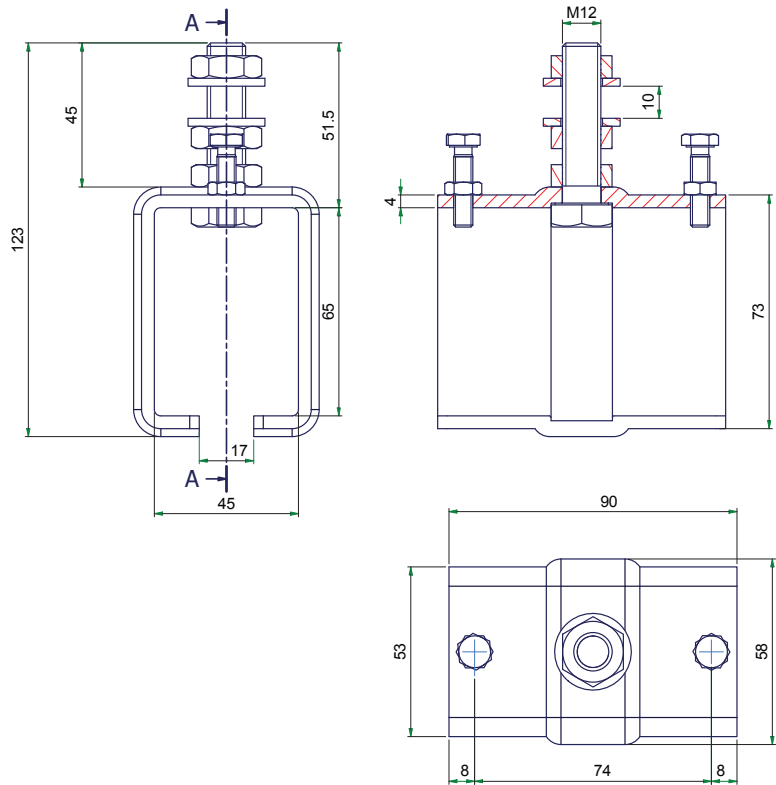
300 Series

ADJUSTABLE MOUNT

300-21

Includes height adjuster single mounting point for easier installation.

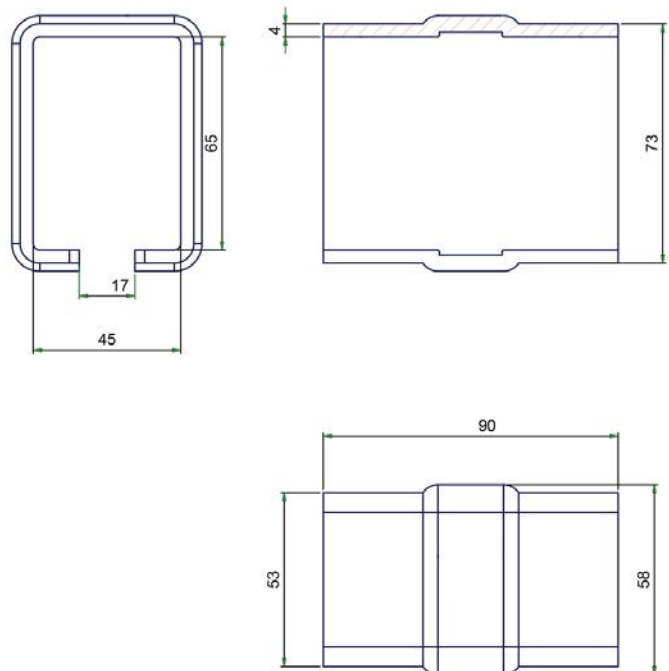
Can be used with single or side-by-side tracks and 300-D bracket.



WELD-ON MOUNT

300-21W Weld-on

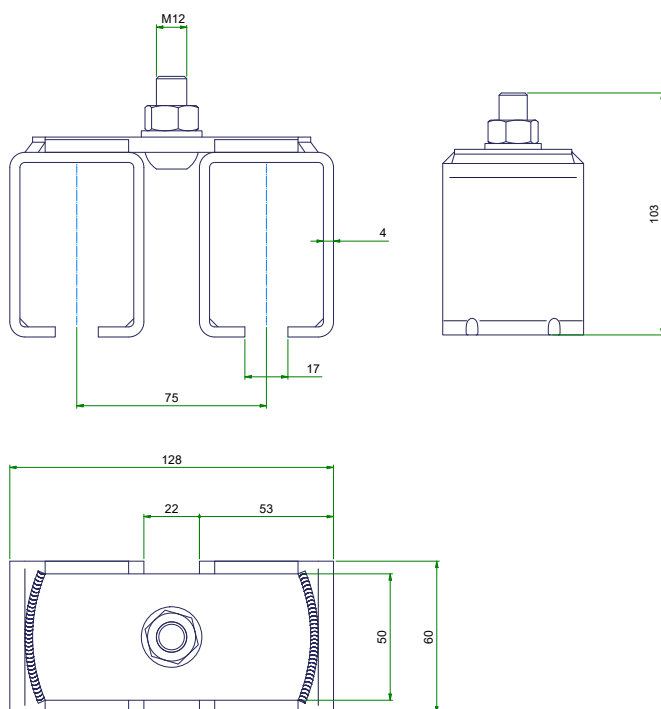
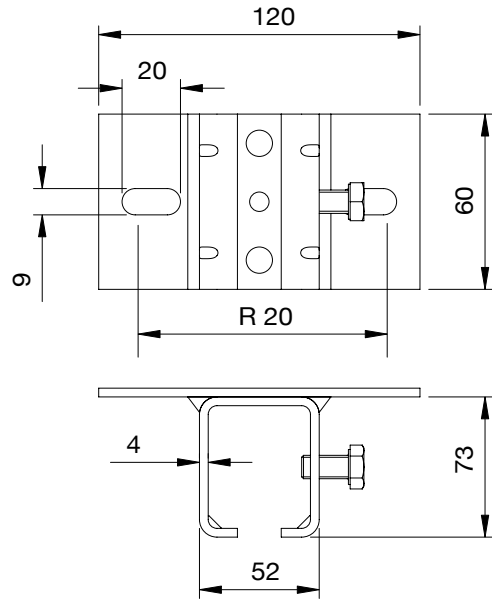
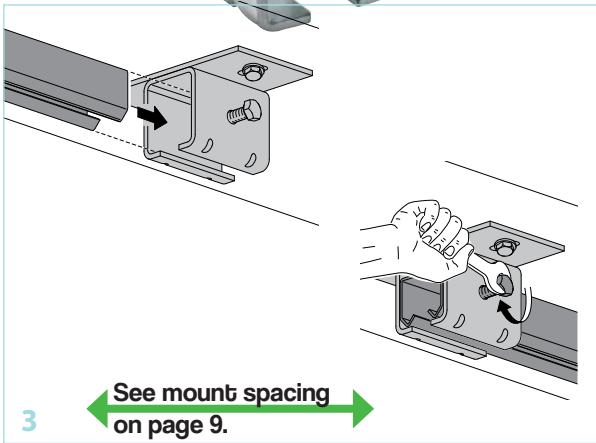
Can be used to mount single or side-by-side tracks.



300 Series

OVERHEAD MOUNT

300-22 Fixed track mount



DOUBLE MOUNT

300-2D-75

Includes height adjuster single mounting point for easier installation.

Used with side-by-side tracks.
See mount spacing guide on page 9.

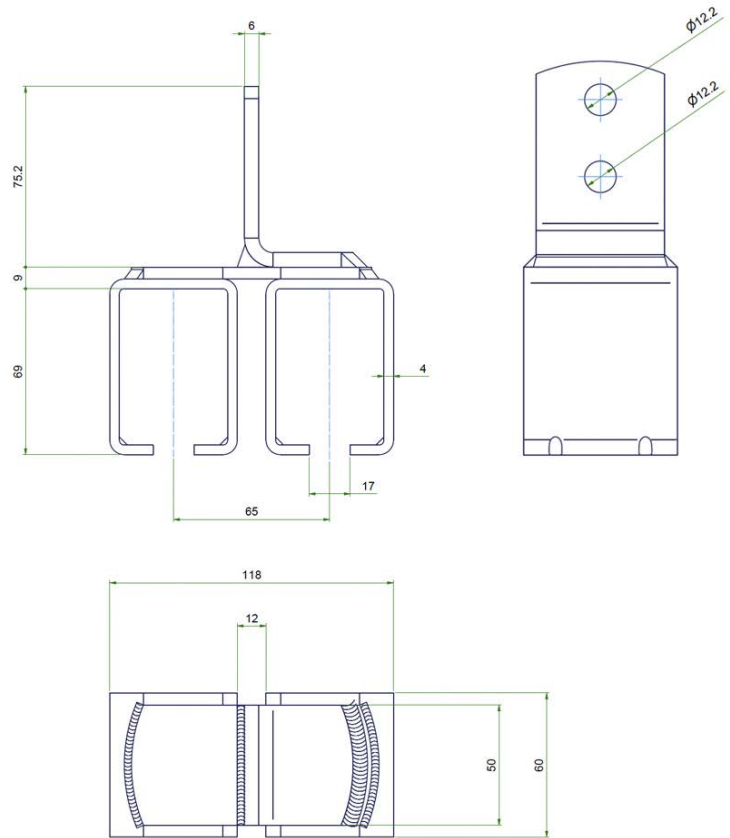


300 Series

DOUBLE MOUNT

300-2SSF-65

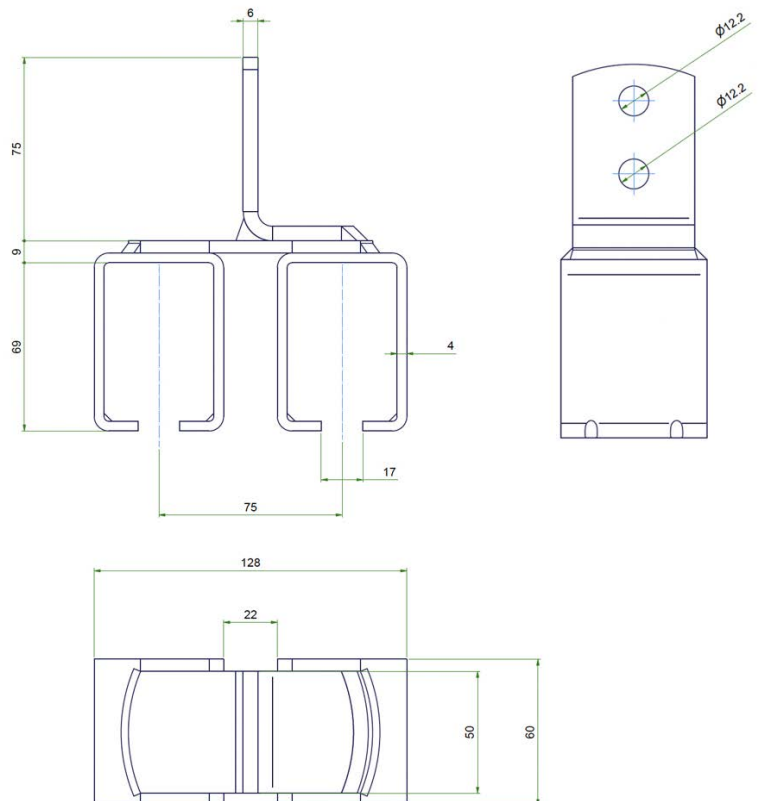
65mm space between track centres.



DOUBLE MOUNT

300-2SSF-75

75mm space between track centres.

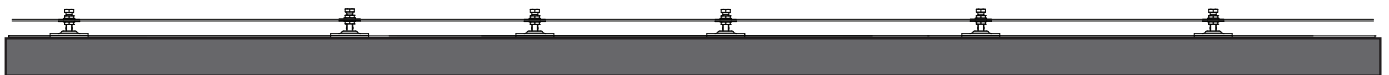
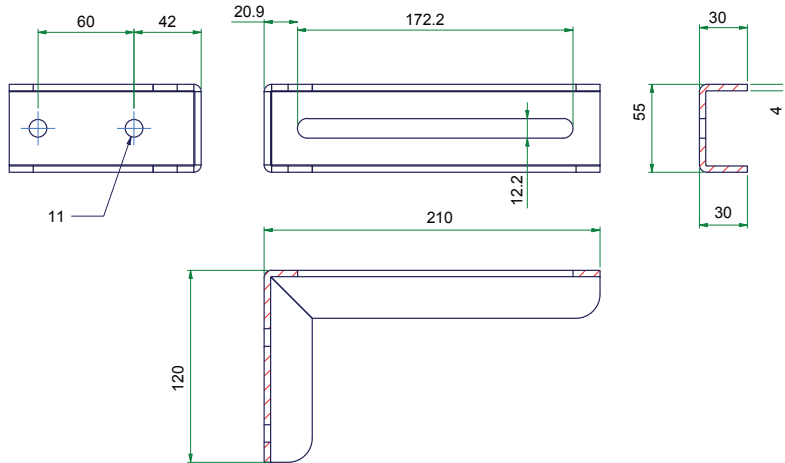


300 Series

DOUBLE BRACKET

300-D

Can be used when mounting single or two tracks side-by-side.



uses 30% less
mount brackets

300 SERIES

SINGLE TRACK MOUNT SPACING

Door weight	120kg	200kg	250kg	300kg
Mount spacing (mm)	1200	1100	1000	900

Spacing applies to all Optimum 300 mounts on a single track.

300 SERIES

DOUBLE TRACK MOUNT SPACING

Door weight	120kg	200kg	250kg	300kg
Mount spacing (mm)	1200	1100	1000	900

Spacing applies to all Optimum 300 mounts on a double track.

300 Series

2-POINT LATCH

300-LL Door opens right to left (see illustration below)

300-LR Door opens left to right-hand

Right and Left-hand models.

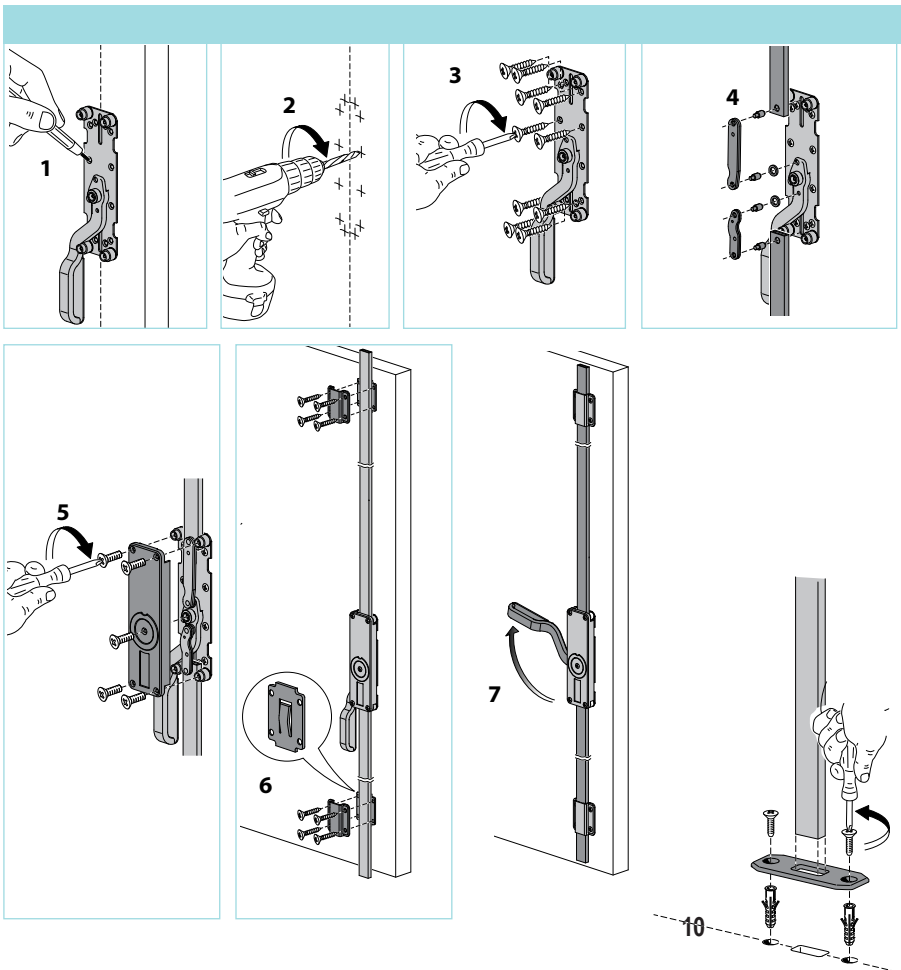
Kit includes:

Latch

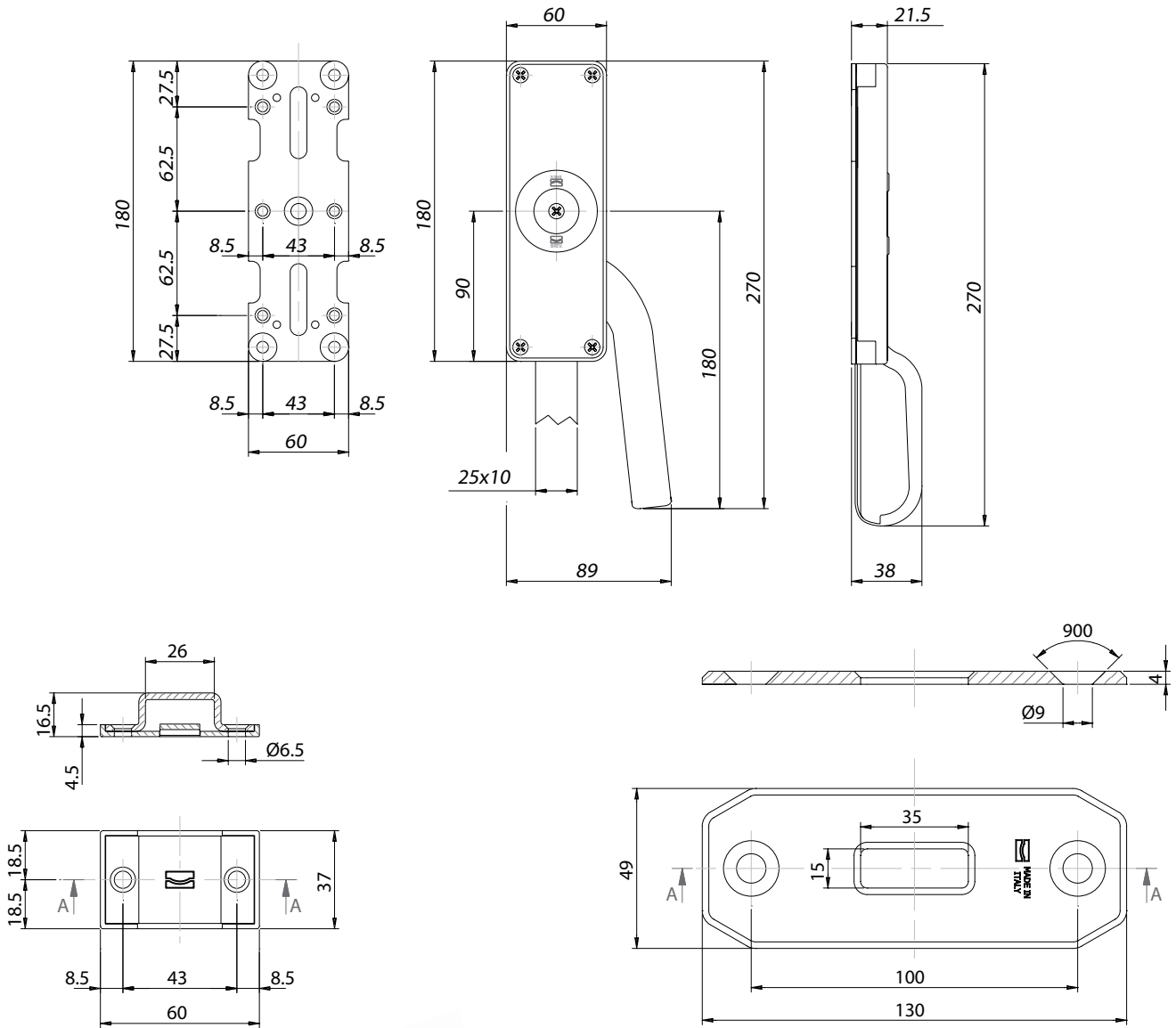
6x Rod Guides

1x Strike Plate

Lever rods not included:
details on following page.



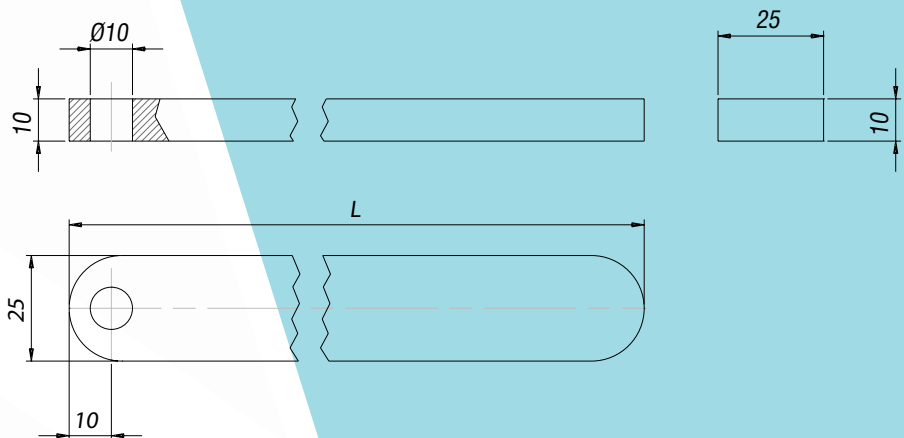
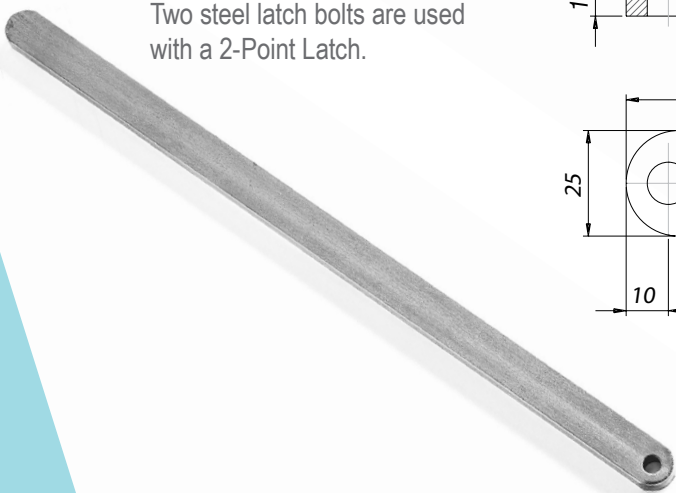
300 Series



LATCH BOLT

Note: Lever rods are not supplied with 2-point latch.

Two steel latch bolts are used with a 2-Point Latch.

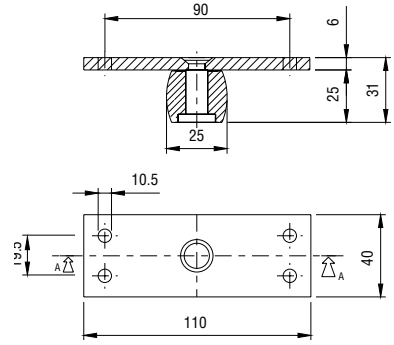
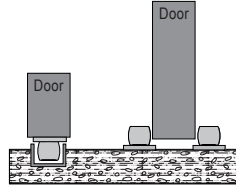


300 Series

DOOR GUIDE

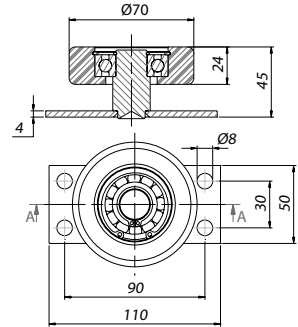
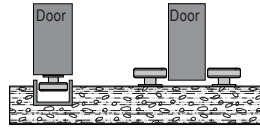
300-BG

Solid brass roller, used one of two ways.



DOOR GUIDE

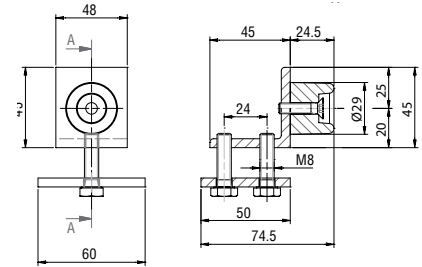
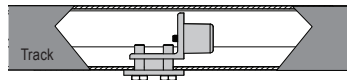
248-60



TOP DOOR STOP

300-TS

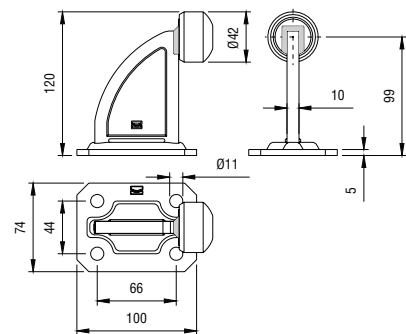
Top Door Stop is mounted inside the track.



FLOOR STOP

300507B

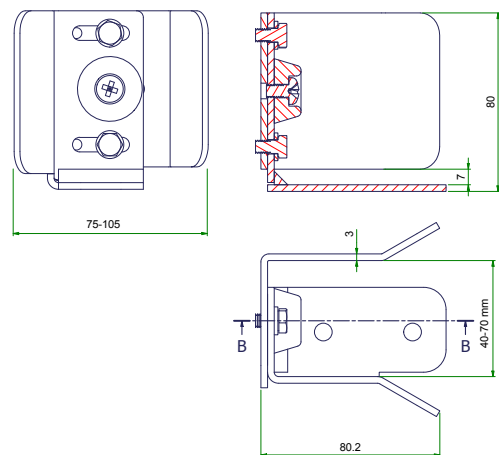
This solid stop is bolted onto a concrete floor.



DOOR CATCH

300-AG

Door Catch is a versatile door-stop which can be mounted at any corner.



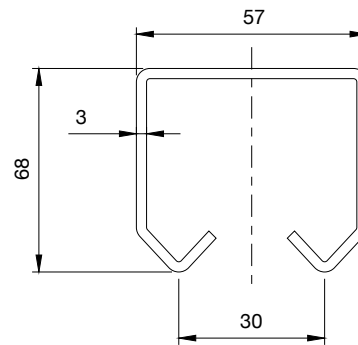
800 Series

DOOR TRACK

800-6000 6-metre Track

Custom length track available.

Minimum order quantities apply.

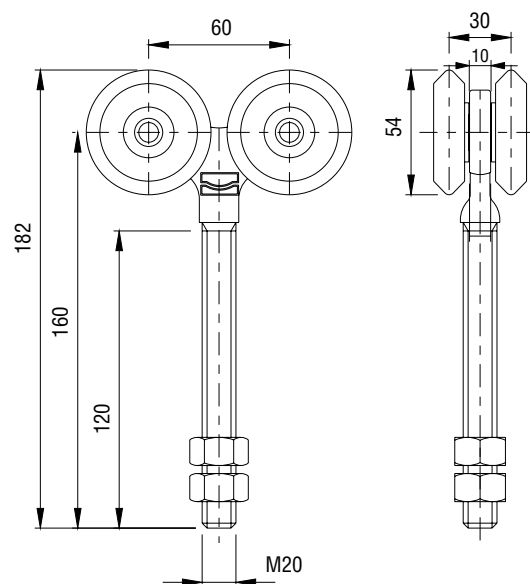


DOOR ROLLER

800-4CS Steel wheels

800-4CN Nylon wheels

All door rollers feature sealed steel roller bearings.

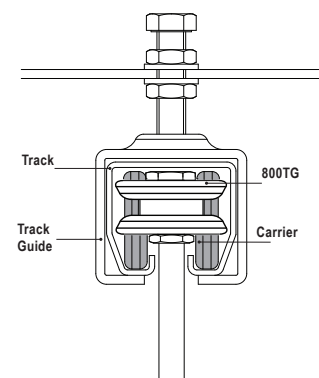


DOOR STABILISER

800-TG

Used in partnership with door rollers to minimise sideways movement caused by wind force.

Also used as a top guide on doors installed on rolling ground track.



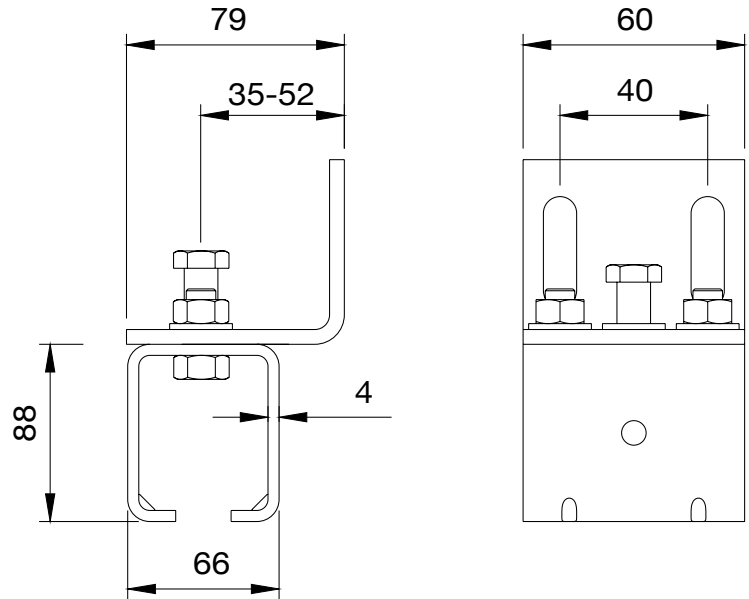
800 Series

TRACK MOUNT

800-2

Track mount only.

Bracket 800-1BS ordered separately.



OFFSET BRACKET

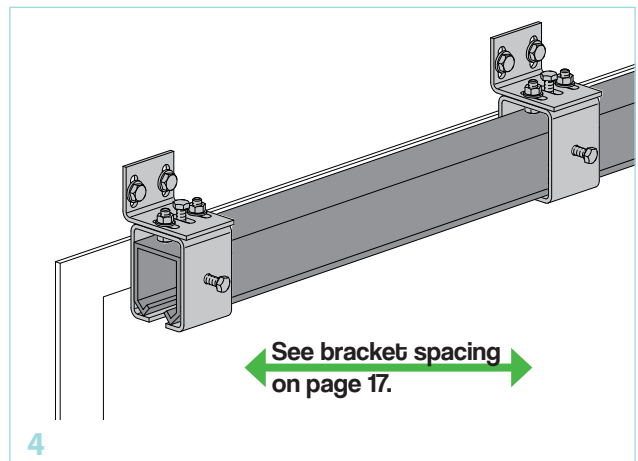
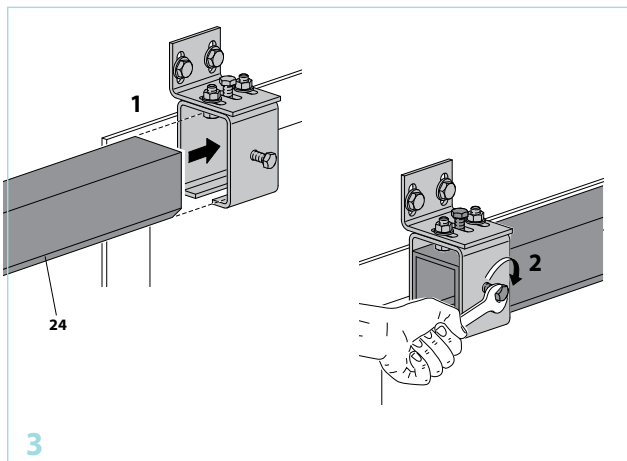
800-1BS



800-1BS Includes:
Nut & bolt (x2)
Track lock bolt (x1)



Image shown includes:
800-2 track mount
800-1BS bracket.



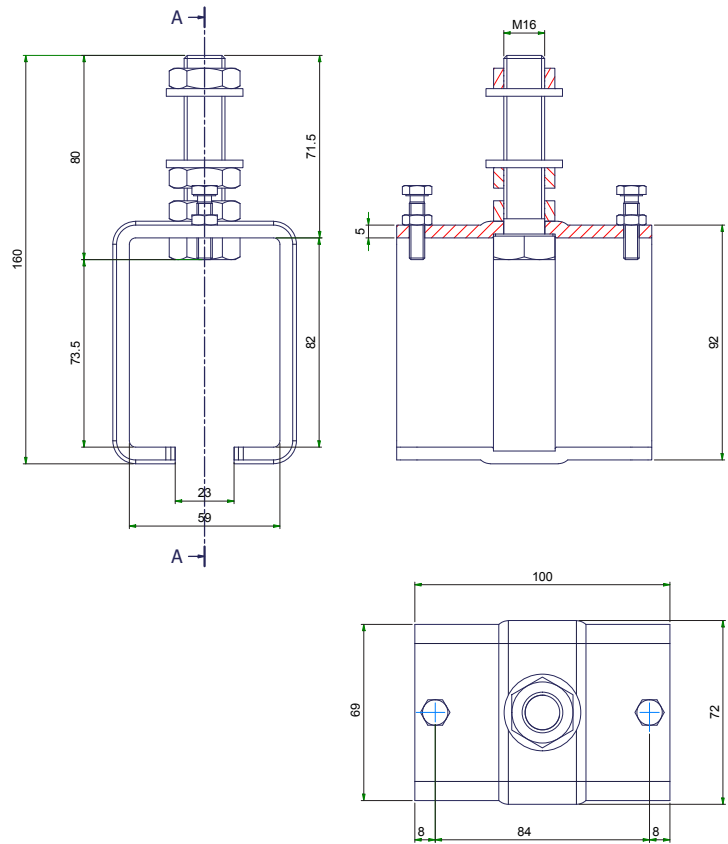
800 Series

ADJUSTABLE MOUNT

800-21

Can be used with single or side-by-side tracks and 800-D bracket.

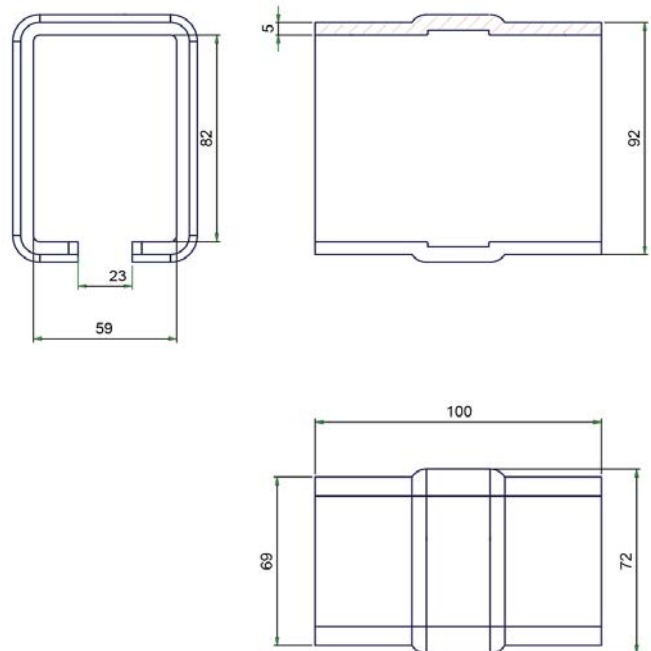
Features height adjustable mount for easy track alignment.



WELD-ON MOUNT

800-21W

Can be used to mount single or side-by-side tracks.



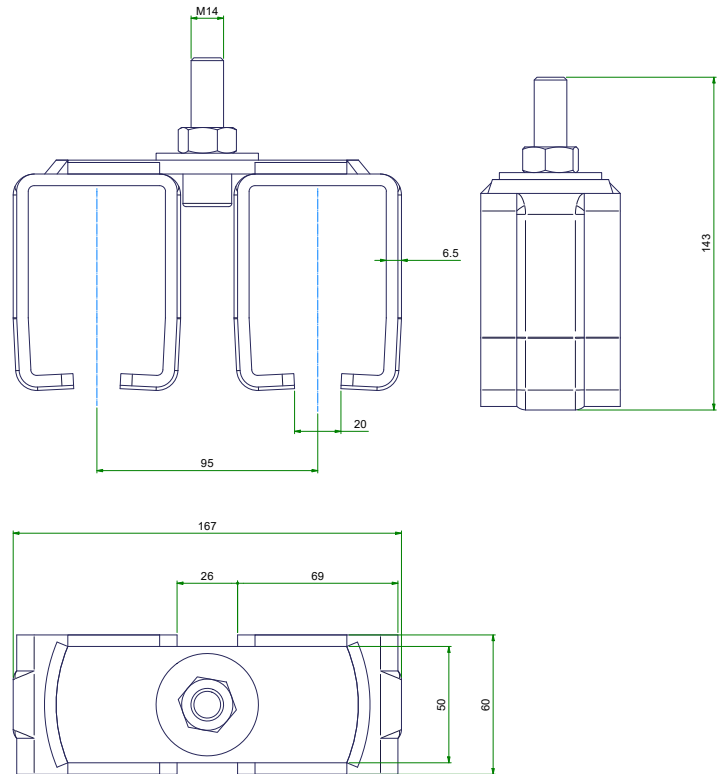
800 Series

DOUBLE MOUNT

800-2D-95

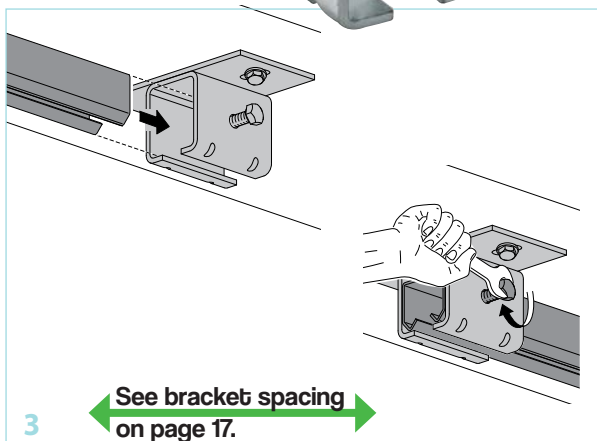
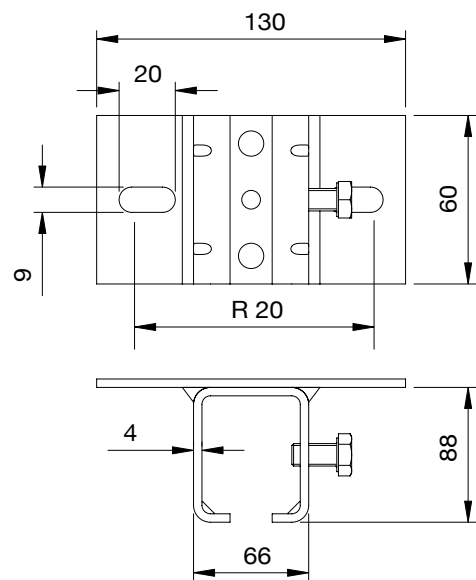
Used with side-by-side tracks.

95mm space between track centres.



OVERHEAD MOUNT

800-22

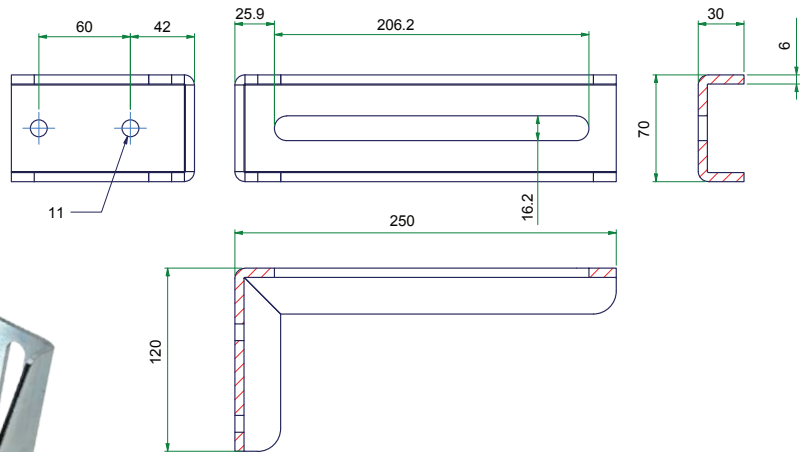


800 Series

DOUBLE BRACKET

800-D

Can be used when mounting single or two tracks side-by-side.

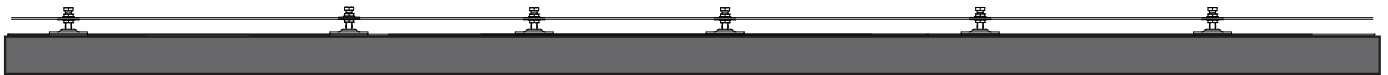


Double track mount

Maximum spacing for 800-D bracket is 500mm.
Maximum 800-D bracket weight capacity 400Kg

Single track mount

Maximum spacing for 800-D bracket is 600mm.
Maximum 800-D bracket weight capacity 800Kg



800 SERIES

SINGLE TRACK MOUNT SPACING



Door weight	300kg	410kg	520kg	630kg	730kg	800kg
Mount spacing (mm)	1100	1000	900	800	700	600

Spacing applies to all 800 Series Optimum mounts on a single track except for 800-D bracket.

800 SERIES

DOUBLE TRACK MOUNT SPACING

Door weight	250kg	300kg	350kg	400kg
Mount spacing (mm)	900	800	700	600

Spacing applies to all 800 Series Optimum mounts on a double track except for 800-D bracket.

800 Series

2-POINT LATCH

800-LL Door opens right to left (see illustration below)

800-LR Door opens left to right-hand

Right and Left-hand Opening

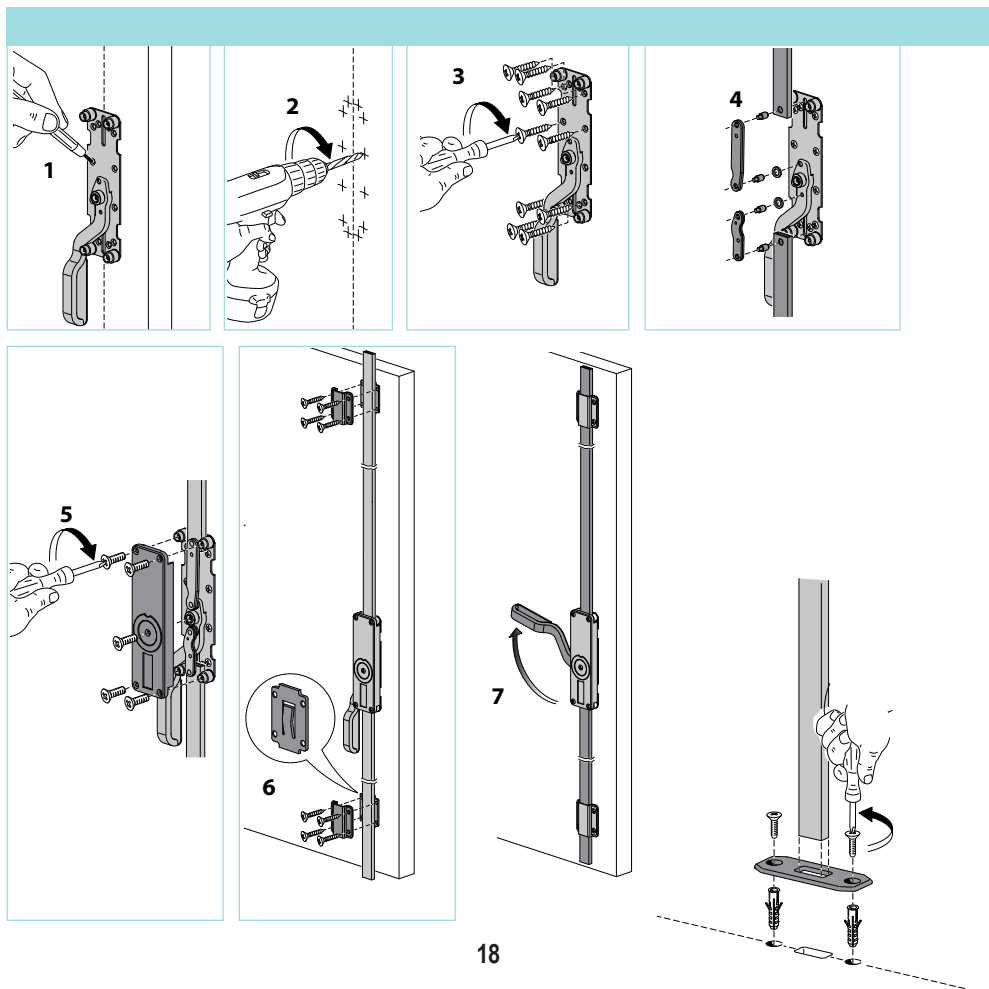
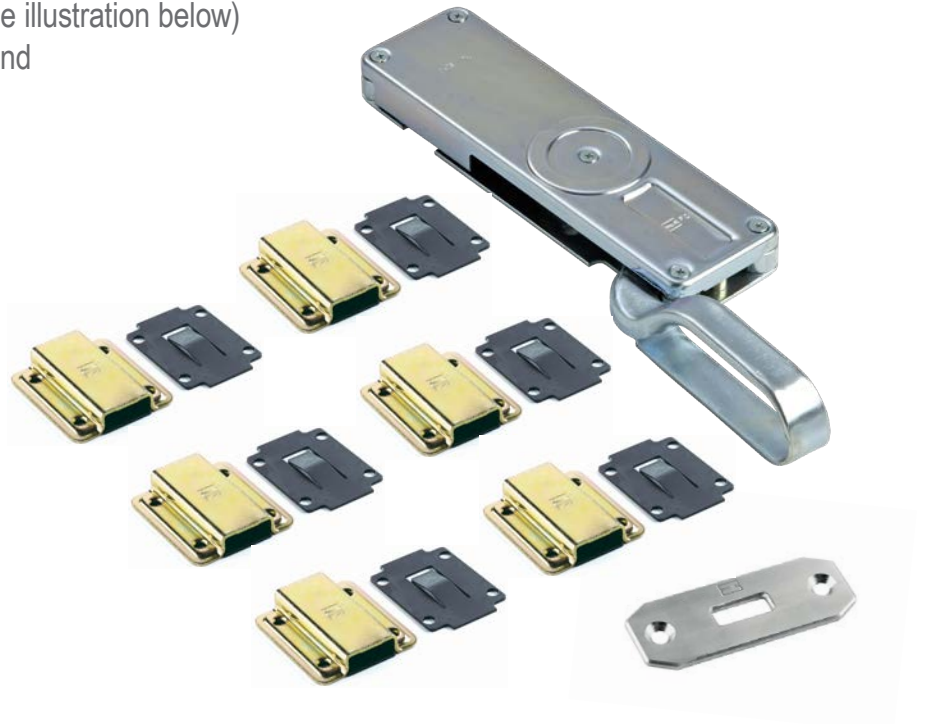
Kit includes:

6x Rod Guide

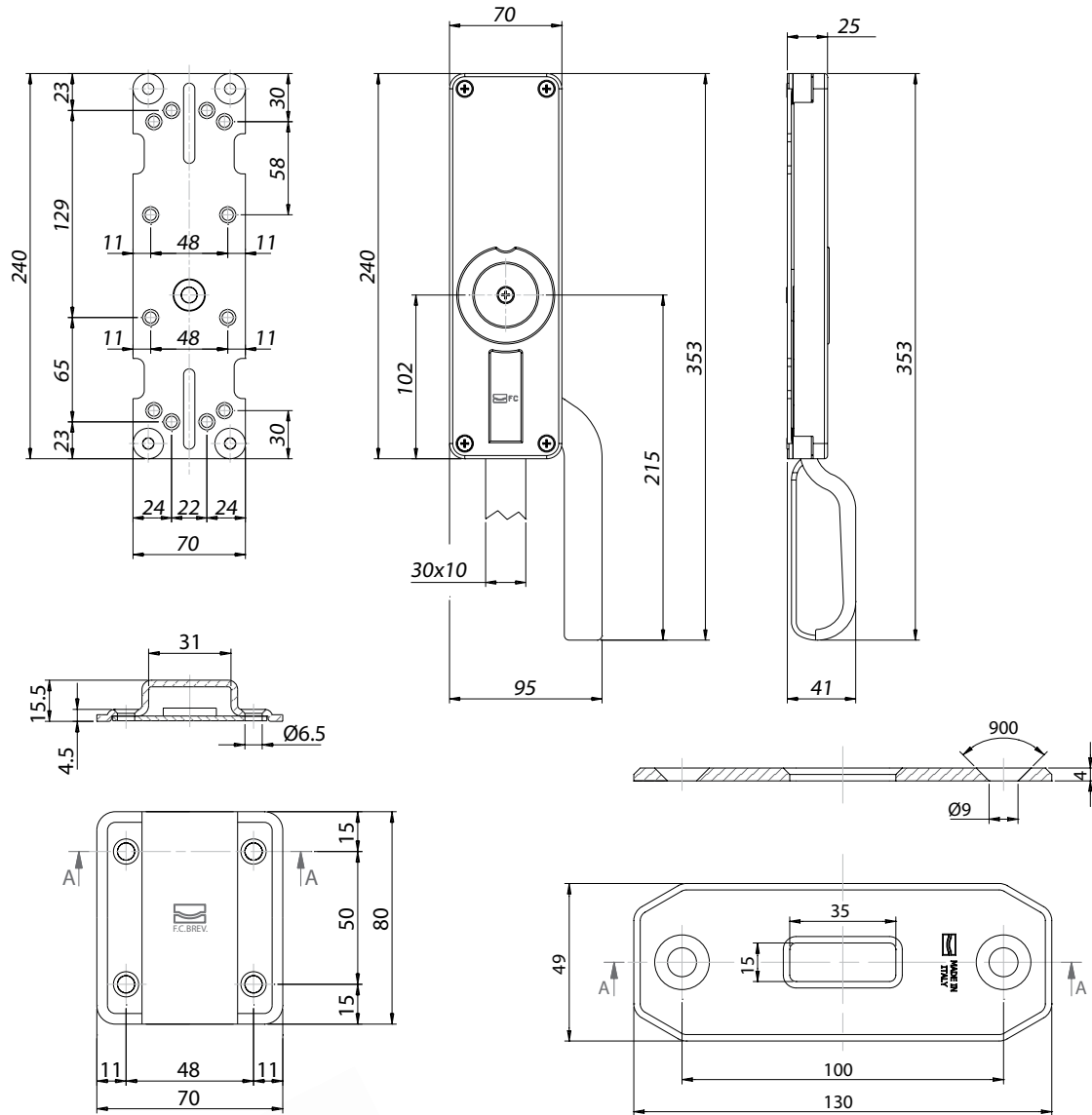
1x Strike Plate

Lever rods not included:

Details on following page.



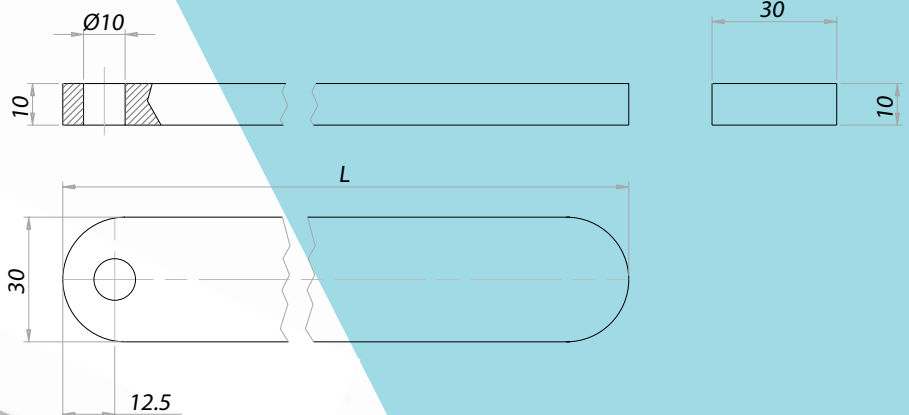
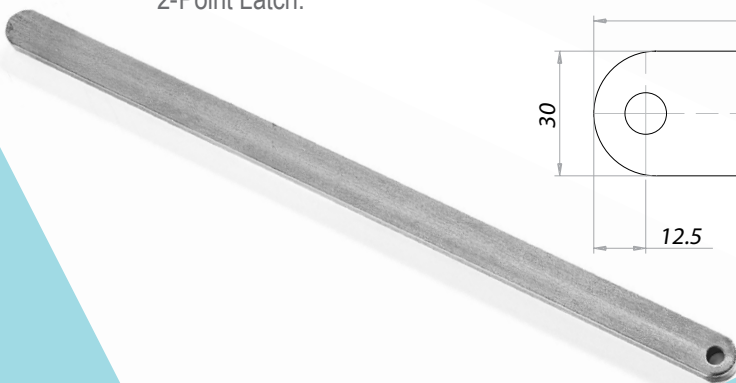
800 Series



LATCH BOLT

Note: Lever rods are not supplied with 2-point latch.

Two latch bolts are used with a 2-Point Latch.

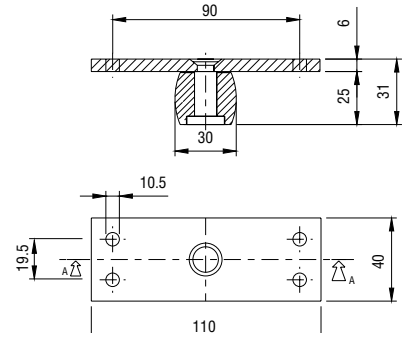
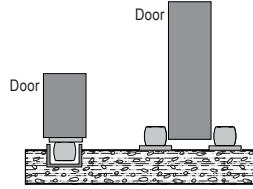


800 Series

DOOR GUIDE

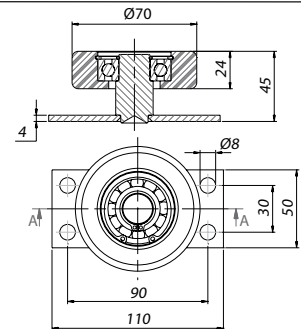
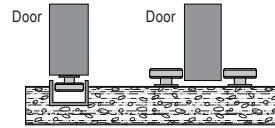
800-BG

Solid brass roller, used two ways.



DOOR GUIDE

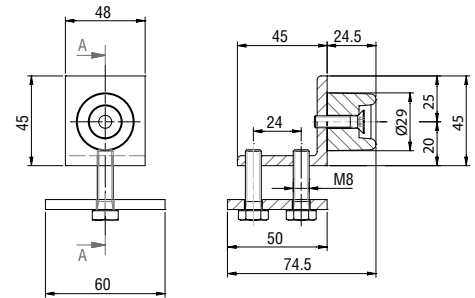
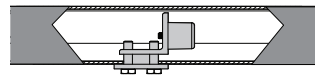
248-60



TOP DOOR STOP

246

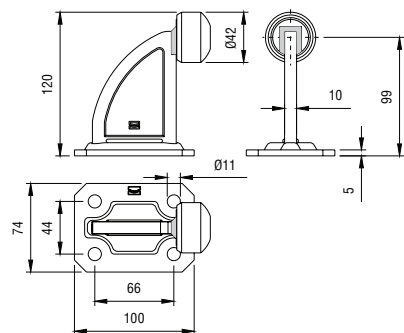
Top Door Stop is mounted inside



FLOOR STOP

300507B

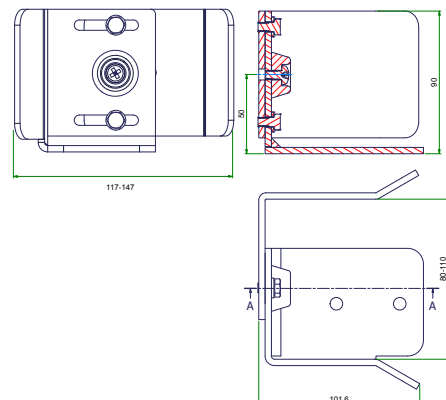
This solid stop will mount onto concrete.



DOOR CATCH

800-AG

Door Catch is a versatile door-stop which can be mounted at any corner.



Technical details

Downee

*TECHNICAL ENQUIRIES
CALL 03 9311 2030*

downee.com.au

