

Fast 24

Automation for residential sliding gates
up to 500 Kg



Control board positioned in a lifted position at the front. Always accessible and perfect for small or narrow spaces



Battery kit with dedicated support (optional and only for 24V models)

Dedicated support for bluetooth device NET-NODE



Models available with **magnetic limit switches**

Invisible fixing system, with threaded rod

Compatible with **external unlocking device by cable** (art. 450N to be used with BLINDOS - optional)

NETLINK OPERATOR

This operator is compatible with the NETLINK System and can be programmed with DEAINSTALLER and NETBOX

(Only versions with NET24N, NET230N, or NET724N)





Compatible with the Apps

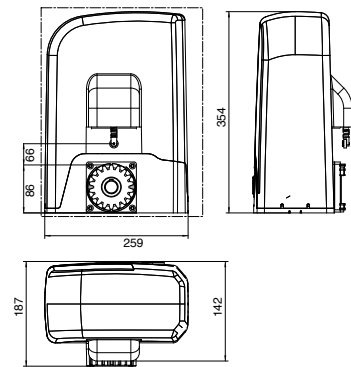


KIT



					Features
Fast 24		500 kg		NET24N	<ul style="list-style-type: none"> Irreversible with limit switches (magnetic only for 6/24N/M, 6/24N/M-BOOST and 9/24N/M versions) Speed adjustment and slow down in opening and closing Anti-crushing safety device Versions with increased speed only in BOOST models (16m/min)

DIMENSIONS



TECHNICAL INFO	Fast 24
Motor power supply (V)	24V ~
Maximum power absorption (W)	80
Max thrust (N)	240
Duty cycle (cycles/h)*	22
N. max. cycles in 24h*	60
Built-in capacitor (µF)	\
Operating temperature (°C)	-20 ÷ 50
Motor thermal protection (°C)	\
Speed (m/min)	16
Standard pinion	Z16
Weight with packing (Kg)	12
Sound pressure (dBA)	< 70
Protection level	IPX4 (IP44 for versions with magnetic limit switches)

* For a 5m leaf length