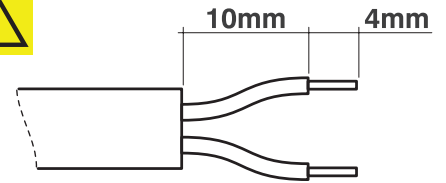
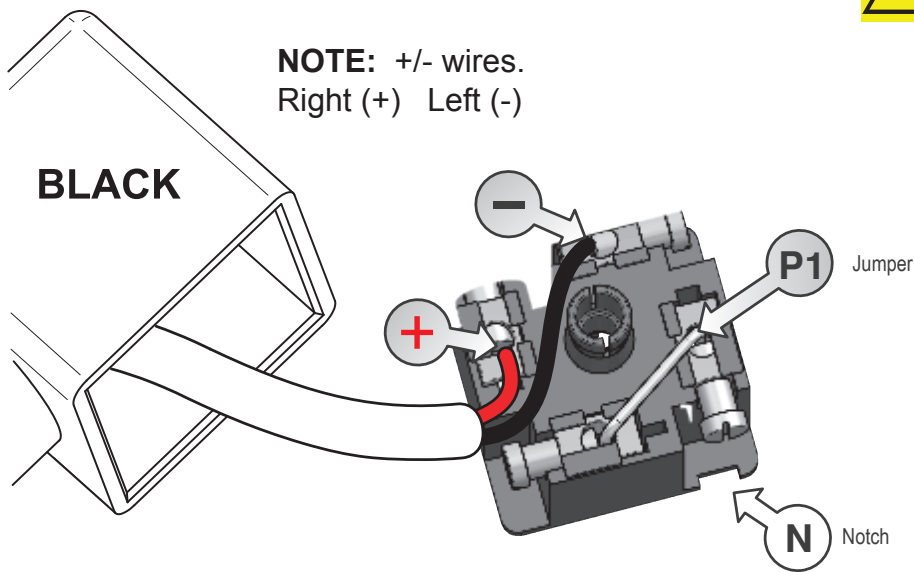


# Connector Wiring

## Input from Panel

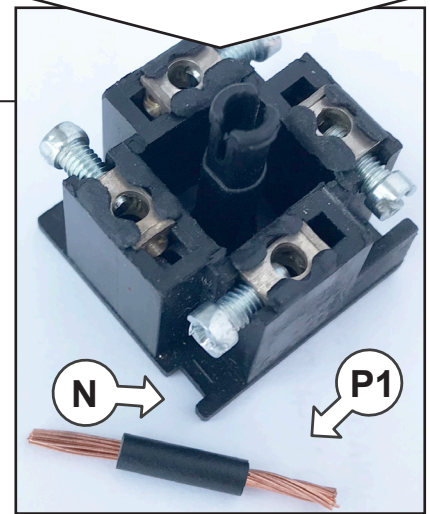


**NOTE:** +/- wires.  
Right (+) Left (-)



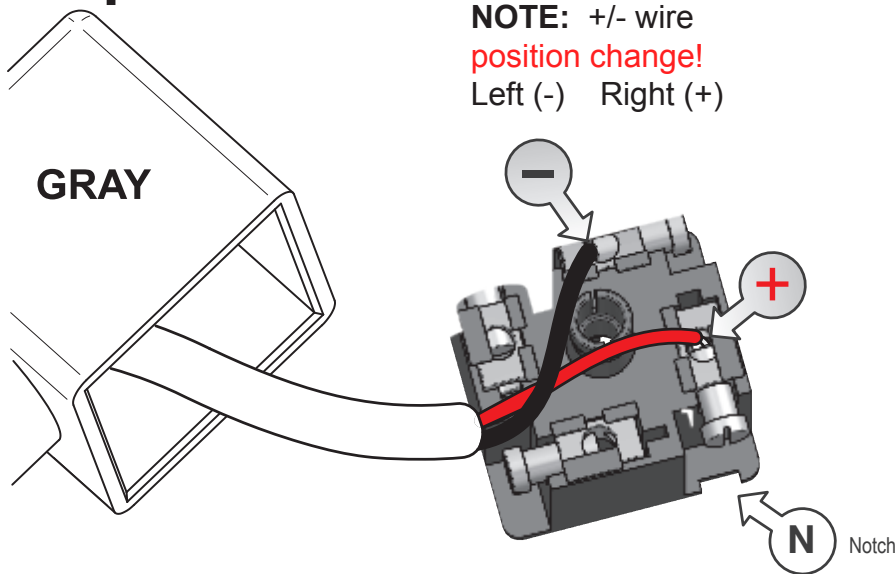
**N - Notch.** Marks wiring position on both connector.

**P1 (Input only)** - Jumper bridges the two terminals either side of notch.



## Output to Motor

**NOTE:** +/- wire  
**position change!**  
Left (-) Right (+)



**N:** Notch indicates connector position (when plugged into the battery).

