

MORTICE HOOK LOCK



SPECIFICATION SHEET / **ML4**

The Gatemaster Mortice Hook Lock is a unique stainless steel lock that incorporates a latch and deadlock in one single-action bolt.

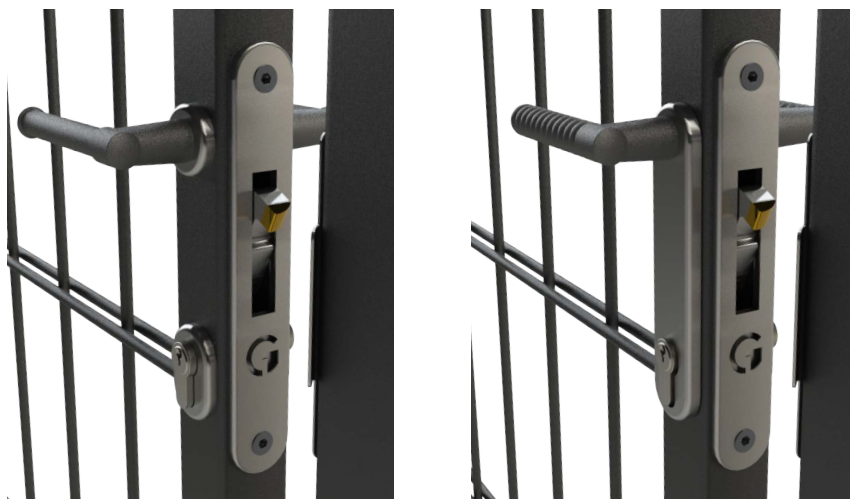
- ✔ Fits 40mm box section
- ✔ Backset 20mm
- ✔ Latch + deadbolt in one hook
- ✔ Operated with key and handle
- ✔ All stainless steel with brass latch
- ✔ Tested to 1,000,000 openings!



PRODUCT DETAILS

Product code:	Description:
ML4 DC	Mortice hook lock, dual cover
ML4 FC	Mortice hook lock, full cover
Kit includes:	Mortice lock, Mortice lock keep, 3 keys, 60mm euro cylinder, pair of handles, face plate, cover plate(s)

MLK - Mortice Lock Keep (included)



ML4 DC Dual Cover

ML4 FC Full Cover
(handle design shown not supplied)



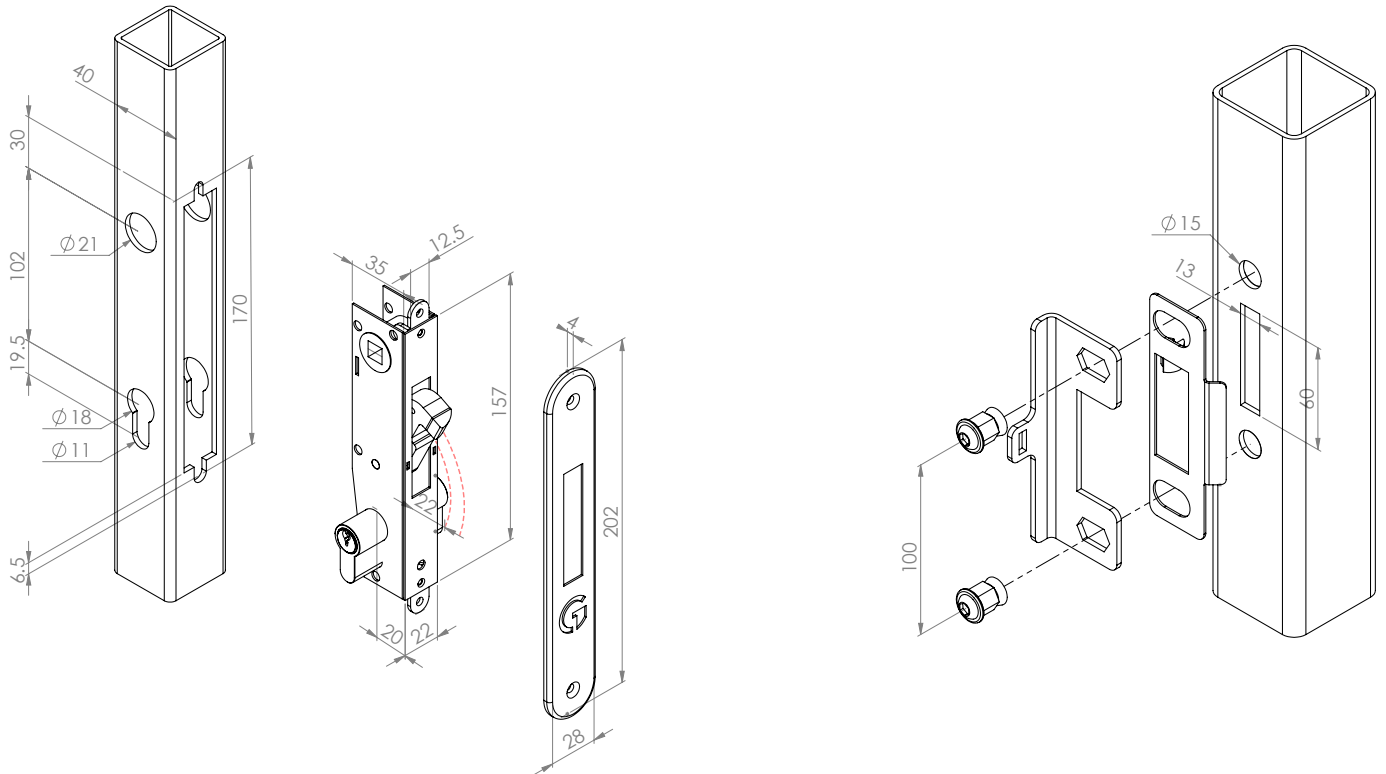
Handle design supplied.

G GATEMASTER

VISIT GATEMASTERLOCKS.COM FOR MORE INFORMATION



MORTICE HOOK LOCK



 **GATEMASTER**

VISIT GATEMASTERLOCKS.COM FOR MORE INFORMATION

