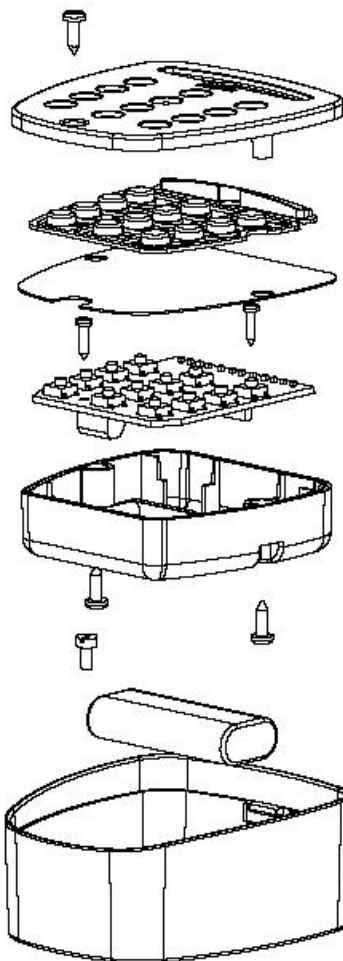
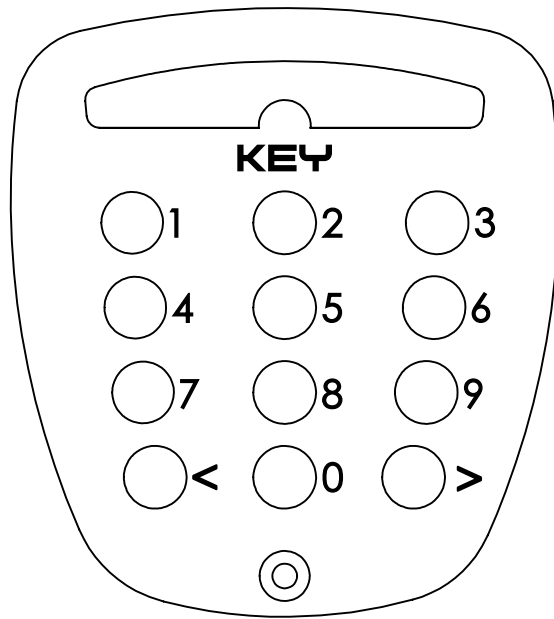


Wireless Keypad



1 - ATTENTION

The digital selector SEL-R/SEL-F works like a 12 digits transmitter and two channels, therefore all the programming and deletion functions of the codes are to be referred to the receiver only (sold apart).

2 - CODE PROGRAMMING PROCEDURE

- 1) Select on the receiver the channel and the kind of function you want to use (please see the manual of the receiver).
- 2) Within 6 seconds type a code of at least 4 numbers on the external digital keyboard and then press < or >.
- 3) The red LED of the receiver will be lighted fix on, that means that the code has been memorized; if the LED of the receiver flash quickly, that means that this code was already memorized.
- 4) To activate the control, type the code and then press < or >.

3 - DELETION OF A SINGLE CODE

Follow the receiver procedure. When it is required to push the transmitter button press the 4 digits code and then < or >.

4 - DELETION OF ALL MEMORIZED CODES

Follow the receiver procedure.

TECHNICAL DATA	SEL-R (rolling code)	SEL-F (fix code)
Supply	3 V	3 V
Frequency	433,92 MHz	433,92 MHz
Protection degree	IP 55	IP 55
Transmission consumption	20 mA	20 mA
Channel number	2	2
Antenna	incorporated	incorporated
Estimated range	20 m (outside)	20 m (outside)
Operating temperature	-10 +55 °C	-10 +55 °C
Weight	160 g	160 g



Key Automation S.r.l.

Via A. Volta 30 - 30020 Noventa di Piave (VE)
T. +39 0421.307.456 - F. +39 0421.656.98
info@keyautomation.it - www.keyautomation.it

**Instruction version
580ISSELR rev.03**